

SPECIFICATIONS

Short Form Specs

Winston Collectramatic Open Fryer, model OF49C or OF59C with processor controls and 13" deep collector, which allows up to 360 lbs. of chicken (or equivalent) to be cooked without manual filtration or emptying collector. Utilize clamshell basket to maintain separation of product during cooking.

Construction

Control Processor control with eight programmable channels.

Capacity OF49C
14 lbs. (6.35 kg.) product
64 lbs. (27.9 kg.) or 8.15 gal. (30.85 L) cooking oil

OF59C
18 lbs. (8.2 kg.) product
75 lbs. (32.4 kg) or 9.55 gal. (36.15 L) cooking oil

Electrical Refer to wiring schematic included in equipment for installation assistance. Cord/Plug not included. Shipped wired for 3-phase application. Licensed electrician may be required. Check local codes.

Materials To be 16 - 20 gauge stainless steel mounted on four adjustable legs. Cooking vessel to be constructed of stainless steel.

Insulation Full, 1-1/2" insulation around the cooking vessel.

Load Limits Maximum of 14 lbs. (OF49C) or 18 Lbs. (OF59C) of frozen or refrigerated chicken, fish, meats, or vegetables per load.

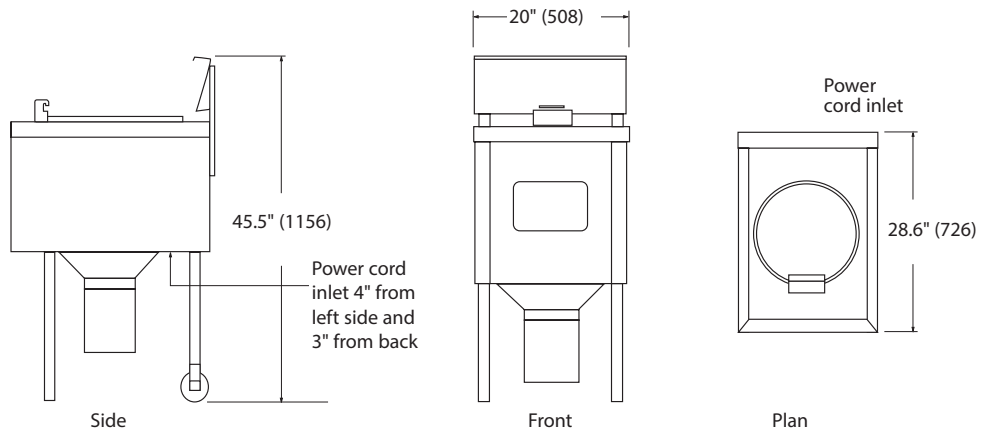
Installation Requirements Ventilation required. Check local codes.



OF49C & OF59C
Collectramatic® Open Fryer
8-Channel Programmable Controls



Collectramatic High Efficiency Open Fryers are the workhorses of any kitchen and can cook up to 120 deliciously golden-brown fried chickens without filtration.



capacity	size in (mm)	volts	hertz	ph	amps	watts	circuit amps	ship wt. lb (kg)	ship cube
OF49C 4 Head 14 lbs. (6.35 kg.) product 64 lbs. (28.8 kg), or 8.15 gal (30.85L) cooking oil	H= 45.5" (1156) W= 20" (508) D= 28.6" (726)	US / CANADA							
		208	60	3	29.2	10500	50	165 (75)	20.0 (0.57)
		240	60	3	25.2	10500	50		
		240	60	1	43.7	10500	60		
INTERNATIONAL								165 (75)	call factory
400*	50	3	15.5	10500	N/A				
OF59C 6 Head 18 lbs. (8.2 kg) product 75 lbs. (33.8 kg), or 9.55 gal (36.15L) cooking oil	H= 45.5" (1156) W= 20" (508) D= 28.6" (726)	US / CANADA							
		208	60	3	29.2	10500	50	170 (77)	20.0 (0.57)
		240	60	3	25.2	10500	50		
		240	60	1	43.7	10500	60		
INTERNATIONAL								170 (77)	call factory
400*	50	3	15.5	10500	N/A				

Includes: 1 clamshell basket, 1 drain hook, 1 pair gloves, 1 spatula, 2 collector gaskets, 1 Teflon brush, 1 long collector, 1 heat plate. Cord and plug not included.

OPERATIONAL EXCELLENCE - The Collectramatic has the largest cold zone in the industry and can perform 20-30 cook cycles without filtration, which extends shortening life and reduces filtering downtime. If speed of service is important, the fryer's heat curve can be adjusted to cook up to 18 lbs. of fried chicken in as little as ten minutes. Utilizing Winston's Quarter Rack system improves labor efficiencies because the chicken is cooked on racks and moved directly into the holding cabinet with minimal handling.

EASY-TO-USE CONTROLS Standard to all Collectramatic fryers is a microprocessor control, which never requires calibration for accuracy. Within any of the eight channels, up to six temperatures and multiple time settings can be programmed per cook cycle. The controller also offers "Flex-Time" for varying sized products and a shortening management system.

BUILT TO LAST WITH QUALITY CRAFTSMANSHIP, the cylindrical cooking pot of the Collectramatic fryer is constructed to last for many years of use. Each fryer is built with high grade stainless steel and uses less than three moving parts.

WARRANTY. Limited one year warranty. Warranty disclaimer for failure to clean. Ask for complete warranty disclosure.

SPECIFY THE FOLLOWING WHEN ORDERING:

Standard (No additional cost):

1. Model number (OF49C or OF59C)
2. Voltage Preference: 208V or 240V for US or Canada. Cordset is not included. All units shipped 3-phase.

*Inquire about additional international voltages available.

Included Accessories (No additional cost):

- | | |
|---------------------|-----------------|
| 1 Clamshell basket | 1 Drain Hook |
| 2 Collector gaskets | 1 Heat plate |
| 1 Teflon® brush | 1 Spatula |
| 1 Long collector | 1 Plugging tool |
| 1 Displacer tool | |

Accessories & Supplies (Additional cost):

- | | |
|-----------------------------------|-----------------------------------|
| PS1180 Utensil rack | PS1290 Open basket |
| PS2838 Qtr rack basket, 4-hd | PS1875 Basket lift assist |
| PS2839 Qtr rack basket, 6-hd | PS2837/1 Qtr rack basket shelf |
| PS2837/10 Qtr rack basket shelves | PS2837/50 Qtr rack basket shelves |
| PS2837/25 Qtr rack basket shelves | |

FOR WINSTON SERVICE PARTS, ACCESSORIES, AND SUPPLIES ONLINE!

foodservice.winstonind.com/parts-supplies